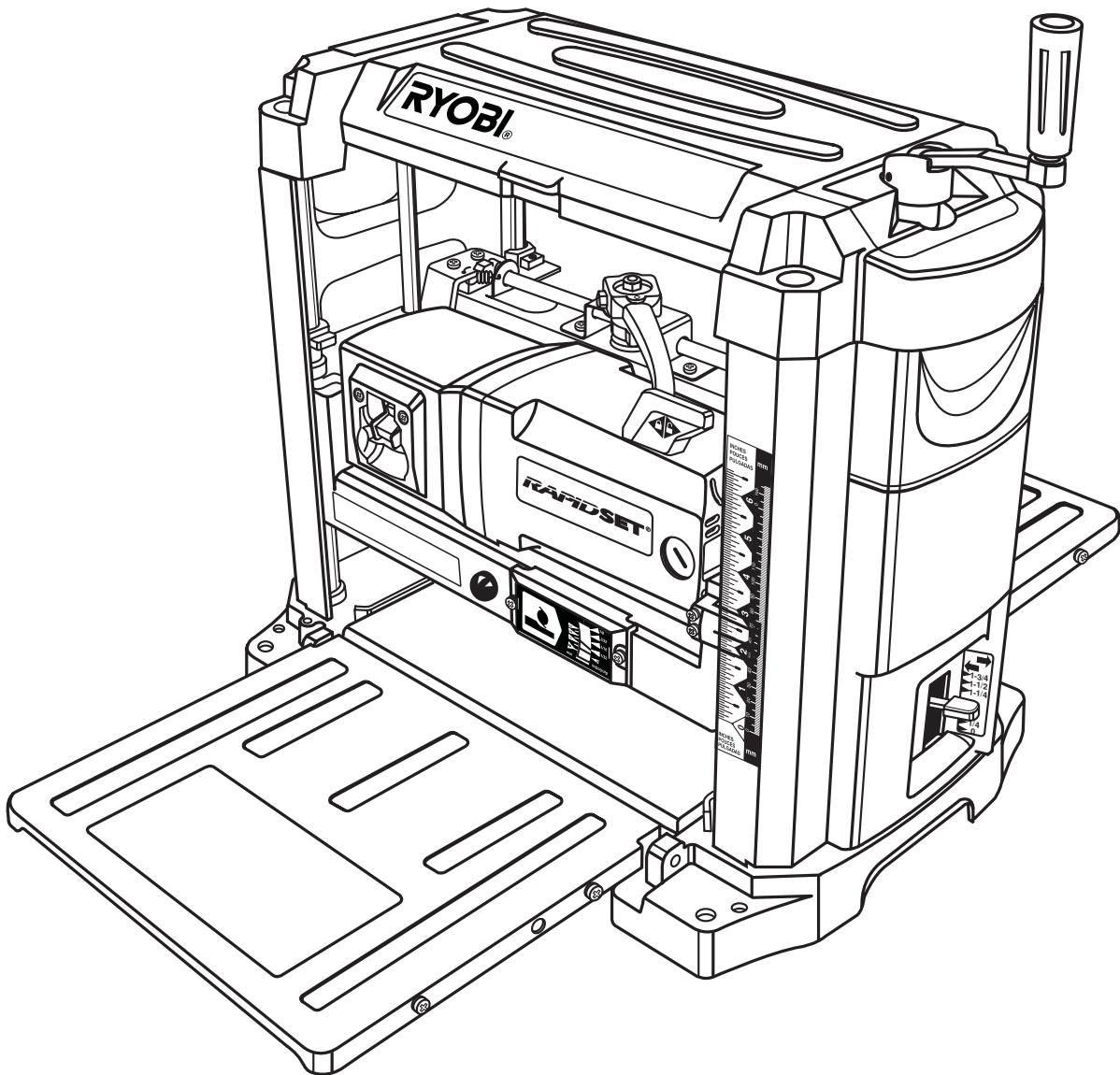


# RYOBI<sup>®</sup> OPERATOR'S MANUAL

## 13 in. (330 mm) Portable Planer

### Model AP1300



#### THANK YOU FOR BUYING A RYOBI PORTABLE PLANER.

Your new planer has been engineered and manufactured to Ryobi's high standards for dependability, ease of operation, and operator safety. Properly cared for, it will give you years of rugged, trouble-free performance.

**CAUTION:** Carefully read through this entire operator's manual before using your new planer.

Pay close attention to the Rules for Safe Operation, Warnings, and Cautions. If you use your tool properly and only for what it is intended, you will enjoy years of safe, reliable service.

Please fill out and return the Warranty Registration Card so we can be of future service to you.

Thank you again for buying Ryobi tools.

**SAVE THIS MANUAL FOR FUTURE REFERENCE**

# TABLE OF CONTENTS

- Table of Contents, Introduction, and Product Specifications .....2
- Rules For Safe Operation ..... 3-5
- Electrical.....6
- Unpacking and Loose Parts .....7
- Features .....8
- Assembly.....9
- Adjustments ..... 10-12
- Operation ..... 13-14
- Maintenance ..... 15-16
- Troubleshooting ..... 17
- Parts Ordering/Service ..... 18

## INTRODUCTION

Your portable planer has many features for making cutting operations more pleasant and enjoyable. Safety, performance, and dependability have been given top priority in the design of this planer making it easy to maintain and operate.

### CAUTION:

Carefully read through this entire operator's manual before using your new tool. Pay close attention to the Rules for Safe Operation, and all Safety Alert Symbols including Danger, Warning and Caution. If you use your tool properly and only for what it is intended, you will enjoy years of safe, reliable service.

## PRODUCT SPECIFICATIONS

### SPECIFICATIONS:

Feed Rate	25 FPM
Rating	15 Amperes
No Load Speed	9,900 RPM
Input	120 volts, 60Hz, AC Only
Max. Planing Height	6 in. (152 mm)
Max. Planing Width	13 in. (330 mm)
Max Planing Depth	1/8 in. (3 mm)
Net Weight	77 lbs. (35 kg.)



**Look for this symbol to point out important safety precautions. It means attention!!! Your safety is involved.**

# RULES FOR SAFE OPERATION

Safe operation of this power tool requires that you read and understand this operator's manual and all labels affixed to the tool. Safety is a combination of common sense, staying alert, and knowing how your tool works.

## READ ALL INSTRUCTIONS

- **KNOW YOUR POWER TOOL.** Read the operator's manual carefully. Learn the machine's applications and limitations as well as the specific potential hazards related to this tool.
- **GUARD AGAINST ELECTRICAL SHOCK** by preventing body contact with grounded surfaces such as pipes, radiators, ranges, refrigerator enclosures.
- **KEEP GUARDS IN PLACE** and in good working order.
- **REMOVE WRENCHES AND ADJUSTING KEYS.** Get in the habit - before turning on tool - that hex keys and adjusting wrenches are removed from tool.
- **KEEP THE WORK AREA CLEAN.** Cluttered work areas and work benches invite accidents. **DO NOT** leave tools or pieces of wood on the machine while it is in operation.
- **DO NOT USE IN DANGEROUS ENVIRONMENTS.** Do not use power tools near gasoline or other flammable liquids, in damp or wet locations, or expose them to rain. Keep the work area well lit.
- **KEEP CHILDREN AND VISITORS AWAY.** All visitors should wear safety glasses and be kept a safe distance from work area. Do not let visitors contact tool or extension cord while operating.
- **MAKE WORKSHOP CHILDPROOF** with padlocks and master switches or by removing starter keys.
- **DO NOT FORCE THE TOOL.** It will do the job better and safer at the rate for which it was designed.
- **USE THE RIGHT TOOL FOR THE JOB.** Do not force the tool or attachment to do a job it was not designed for. Use it only the way it was intended.
- **USE THE PROPER EXTENSION CORD.** Make sure your extension cord is in good condition. Use only a cord heavy enough to carry the current your product will draw. An undersized cord will cause a drop in line voltage resulting in loss of power and overheating. A wire gage size (A.W.G.) of at least **14** is recommended for an extension cord 25 feet or less in length. If in doubt, use the next heavier gage. The smaller the gage number, the heavier the cord.
- **INSPECT TOOL CORDS AND EXTENSION CORDS PERIODICALLY** and, if damaged, have repaired at your nearest authorized service center. Stay constantly aware of cord location and keep it well away from the moving blade.
- **DRESS PROPERLY.** Do not wear loose clothing, gloves, neckties, rings, bracelets, or other jewelry that can get caught and draw you into moving parts. Nonslip footwear is recommended. Also wear protective hair covering to contain long hair.
- **ALWAYS WEAR SAFETY GLASSES WITH SIDE SHIELDS.** Everyday eyeglasses have only impact-resistant lenses; they are **NOT** safety glasses.
- **WEAR A DUST MASK** to keep from inhaling fine particles.
- **PROTECT YOUR HEARING.** Wear hearing protection during extended periods of operation.
- **SECURE WORK.** Use clamps or a vise to hold work when practical. It's safer than using your hand and frees both hands to operate tool.
- **DO NOT OVERREACH.** Keep proper footing and balance at all times.
- **MAINTAIN TOOLS WITH CARE.** Keep tools sharp and clean for better and safer performance. Follow instructions for lubricating and changing accessories.
- **DISCONNECT ALL TOOLS.** When not in use, before servicing, or when changing attachments, all tools should be disconnected.
- **AVOID ACCIDENTAL STARTING.** Be sure switch is off when plugging in any tool.
- **USE RECOMMENDED ACCESSORIES.** Consult the operator's manual for recommended accessories. The use of improper accessories may cause risk of injury.
- **NEVER STAND ON TOOL.** Serious injury could occur if the tool is tipped or if the blade is unintentionally contacted.
- **CHECK DAMAGED PARTS.** Before using the tool, a guard or other part that is damaged should be carefully checked to determine that it will operate properly and perform its intended function. Check for alignment of moving parts, binding of moving parts, breakage of parts, mounting and any other conditions that may affect its operation. A guard or other part that is damaged must be properly repaired or replaced by an authorized service center to avoid risk of personal injury.
- **DIRECTION OF FEED.** Feed work into a blade or cutter against the direction or rotation of the blade or cutter only.
- **NEVER LEAVE TOOL RUNNING UNATTENDED, TURN THE POWER OFF.** Do not leave tool until it comes to a complete stop.
- **FIRMLY CLAMP OR BOLT** your tool to a workbench or table at approximately hip height.
- **KEEP HANDS AWAY FROM CUTTING AREA.** Do not reach underneath work or in blade cutting path with your hands and fingers for any reason. Always turn the power off.
- **DO NOT ABUSE CORD.** Never yank cord to disconnect it from receptacle. Keep cord from heat, oil, and sharp edges.
- **USE ONLY OUTDOOR EXTENSION CORDS.** Use only extension cords with the marking "Acceptable for use with outdoor appliances; store cords indoors while not in use". Use extension cords with an electrical rating not less than the planer's electrical rating. Always disconnect the extension cord from the outlet before disconnecting the product from the extension cord.
- **DO NOT USE TOOL IF SWITCH DOES NOT TURN IT ON AND OFF.** Have defective switches replaced by an authorized service center.

# RULES FOR SAFE OPERATION

- **KEEP TOOL DRY, CLEAN, AND FREE FROM OIL AND GREASE.** Always use a clean cloth when cleaning. Never use brake fluids, gasoline, petroleum-based products, or any solvents to clean tool.
- **NEVER PERFORM THE PLANING OPERATION** with the cutter head or drive guard removed.
- **NEVER MAKE A PLANING CUT** deeper than 1/8 in. (3 mm)
- **DO NOT PLANE MATERIAL** shorter than 14 in. (356 mm) or narrower than 3/4 in. (19 mm).
- **MAINTAIN THE PROPER RELATIONSHIP** between the infeed and outfeed surfaces and the cutter head knife path.
- **SUPPORT THE WORKPIECE ADEQUATELY** at all times during operation; maintain control of the work at all times.
- **DO NOT BACK THE WORK** toward the infeed table.
- **DO NOT ATTEMPT TO PERFORM** an abnormal or little used operation without the use of sturdy and adequate jigs, fixtures, stops, and the like.
- **NEVER** cut more than one piece at a time. **DO NOT STACK** more than one workpiece on the planer table at a time.
- **BEFORE STARTING UP**, recheck to make certain all holding screws are tight.
- **STOP THE MACHINE** and recheck the cutter head gib screws and knives for tightness after about 50 hours of operation.
- **DO NOT FORCE FEED THE WORKPIECE** through the machine. Let the planer apply the proper feed rate
- **CHECK THE FEED ROLLERS** occasionally to be sure there are no chips or sawdust between any components. If the rollers are not seated firmly, they will not hold the stock firmly against the bed and are likely to cause kickback.
- **PLANE ONLY SOUND LUMBER**; there should be no loose knots and as few tight knots as possible. Make sure the workpiece is free from nails, screws, stones, or other foreign objects that could break or chip the knives.
- **NEVER STAND DIRECTLY IN LINE** with either the infeed or outfeed sides. Stand off to one side.
- **MAKE SURE THE KNIVES ARE ATTACHED** as described in the operation section. The knives are sharp and can easily cut your hand. Use caution in handling the knives and cutter head guard.
- **NEVER PUT YOUR FINGERS** into the dust chute or under the knife guard.
- **ALLOW THE CUTTER HEAD** to reach full speed before using the planer.
- **REPLACEMENT PARTS.** All repairs, whether electrical or mechanical, should be made at your nearest authorized service center.
- **DO NOT** attempt to turn cutter-head with hands.
- **WHEN SERVICING**, use only identical Ryobi replacement parts. Use of any other parts may create a hazard or cause product damage.
- **NEVER USE THIS TOOL IN AN EXPLOSIVE ATMOSPHERE.** Normal sparking of the motor could ignite fumes.
- **IF ANY PART OF THIS TOOL IS MISSING** or should break, bend, or fail in any way, or should any electrical component fail to perform properly, shut off the power switch, remove the plug from the power source and have damaged, missing, or failed parts replaced before resuming operation.
- **DO NOT OPERATE THIS TOOL WHILE UNDER THE INFLUENCE OF DRUGS, ALCOHOL, OR ANY MEDICATION.**
- **ALWAYS STAY ALERT!** Do not allow familiarity (gained from frequent use of your planer) to cause a careless mistake. **ALWAYS REMEMBER** that a careless fraction of a second is sufficient to inflict serious injury.
- **STAY ALERT AND EXERCISE CONTROL.** Watch what you are doing and use common sense. **Do not operate tool when you are tired. Do not rush.**
- **MAKE SURE THE WORK AREA HAS AMPLE LIGHTING** to see the work and that no obstructions will interfere with safe operation **BEFORE** performing any work using your planer.
- **ALWAYS TURN OFF THE TOOL** before disconnecting it to avoid accidental starting when reconnecting to power supply. **NEVER** leave the tool unattended while connected to a power source.
- **SAVE THESE INSTRUCTIONS.** Refer to them frequently and use them to instruct other users. If you loan someone this tool, loan them these instructions also.

## **WARNING:**

Some dust created by power sanding, sawing, grinding, drilling, and other construction activities contains chemicals known to cause cancer, birth defects or other reproductive harm. Some examples of these chemicals are:

- lead from lead-based paints,
- crystalline silica from bricks and cement and other masonry products, and
- arsenic and chromium from chemically-treated lumber.

Your risk from these exposures varies, depending on how often you do this type of work. To reduce your exposure to these chemicals, work in a well ventilated area and work with approved safety equipment, such as those dust masks that are specially designed to filter out microscopic particles.

## SAVE THESE INSTRUCTIONS

# RULES FOR SAFE OPERATION

The purpose of safety symbols is to attract your attention to possible dangers. The safety symbols, and the explanations with them, deserve your careful attention and understanding. The safety warnings do not by themselves eliminate any danger. The instructions or warnings they give are not substitutes for proper accident prevention measures.

## SYMBOL MEANING



### SAFETY ALERT SYMBOL:

Indicates danger, warning or caution. May be used in conjunction with other symbols or pictographs.



**DANGER:** Failure to obey a safety warning will result in serious injury to yourself or to others. Always follow the safety precautions to reduce the risk of fire, electric shock and personal injury.



**WARNING:** Failure to obey a safety warning can result in serious injury to yourself or to others. Always follow the safety precautions to reduce the risk of fire, electric shock and personal injury.



**CAUTION:** Failure to obey a safety warning may result in property damage or personal injury to yourself or to others. Always follow the safety precautions to reduce the risk of fire, electric shock and personal injury.

**Note:** Advises you of information or instructions vital to the operation or maintenance of the equipment.

## IMPORTANT

Servicing requires extreme care and knowledge and should be performed only by a qualified service technician. For service we suggest you return the tool to your nearest **RYOBI AUTHORIZED SERVICE CENTER** for repair. When servicing, use only identical Ryobi replacement parts.



### WARNING:

Do not attempt to operate this tool until you have read thoroughly and understand completely all instructions, safety rules, etc., contained in this manual. Failure to comply can result in accidents involving fire, electric shock, or serious personal injury. Save operator's manual and review frequently for continuing safe operation, and instructing others who may use this tool.

## SAFETY AND INTERNATIONAL SYMBOLS

This operator's manual describes safety and international symbols and pictographs that may appear on this product. Read the operator's manual for complete safety, assembly, operating and maintenance, and repair information.



### MEANING

Do not expose to rain or use in damp locations



### WARNING:

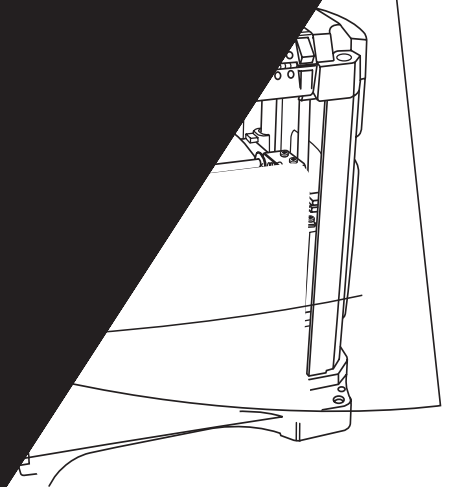


The operation of any power tool can result in foreign objects being thrown into your eyes, which can result in severe eye damage. Before beginning tool operation, always wear safety goggles or safety glasses with side shields and a full face shield when needed. We recommend Wide Vision Safety Mask for use over eyeglasses or standard safety glasses with side shields. Always wear eye protection which is marked to comply with ANSI Z87.1.

## EXTENSION

Use only 3-prong  
grounding plugs.  
When using  
power  
the  
con-

er-  
fold  
ft.



# UNPACKING

## WARNING:

To prevent accidental starting that could cause possible serious personal injury, assemble all parts, make sure all adjustments are complete, and make sure all fasteners are secure before connecting portable planer to power supply. Portable planer should never be connected to power supply when you are assembling parts, making adjustments, installing or removing blades, or when in use.

Your portable planer has been shipped completely assembled except for the dust chute and dust chute cover.

- Remove all loose parts from the carton.
- Separate and check with the list of loose parts in *Figure 2*.
- Remove the packing materials from around the planer.

Carefully lift the tool from the carton and place it on a level work surface. This machine is heavy. Avoid back strain and get help when needed.

Discard the packing materials until you have completely inspected the tool, identified all loose parts, and assembled your new planer.

Make sure no breakage or damage occurred during shipping.

If you find any damage, do not attempt to plug the planer until the damaged parts are replaced and installed correctly.





# ASSEMBLY

## INSTALLING THE DUST CHUTE

See Figure 4.

- Unplug your planer.

### **⚠ WARNING:**

Failure to turn the planer off, remove the switch key, and unplug the planer before servicing or making adjustments could result in accidental starting causing possible serious personal injury.

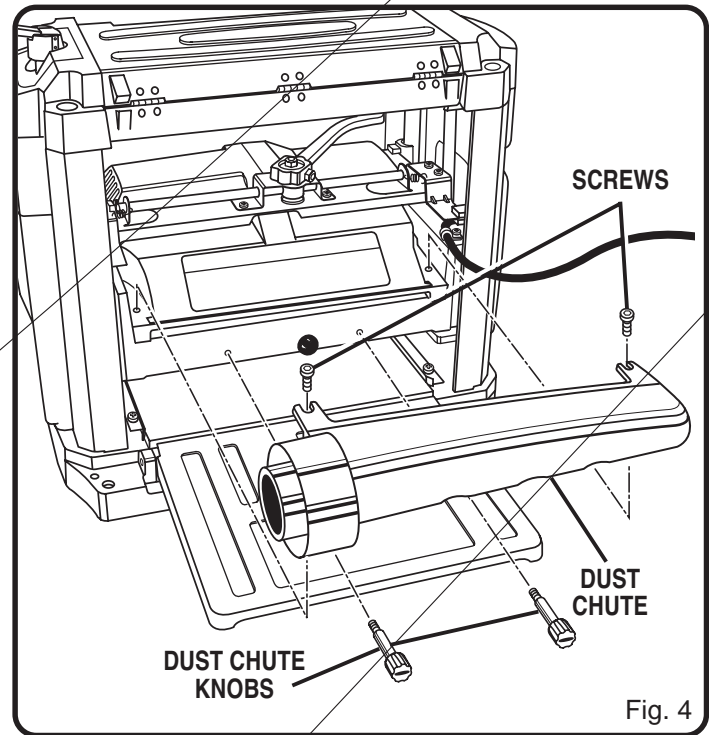
- From the back of the machine, locate the two screws on the cutter head assembly. See Figure 4. Turning counterclockwise, loosen each screw.
- Slide the dust chute between the lock washer and the cutter head assembly, resting the dust chute on the rubber bumper.
- Insert the two dust chute knobs, turning clockwise.
- Securely tighten the screws and dust chute knobs.

**Note:** To minimize sawdust accumulation on your workpiece, attach either a 2-1/2 in. (64 mm) or 4 in. (102 mm) shop vac hose to the end of the dust chute.

## MOUNTING PLANER TO WORKBENCH

If your planer is to be used in a permanent location, it is recommended you secure it to a workbench or other stable surface. When mounting the planer to a workbench, holes should be drilled through the supporting surface of the workbench.

- Mark holes on workbench where planer is to be mounted using holes in planer base as a template for hole pattern.
- Drill four holes through workbench.
- Place planer on workbench, aligning holes in the planer



- Mark holes on board where planer is to be mounted using holes in planer base as a template for hole pattern.
- Follow last three steps in section *Mounting Planer to Workbench*.

If lag bolts are used, make sure they are long enough to go through holes in planer base and material the planer is being mounted to. If machine bolts are used, make sure bolts are long enough to go through holes in planer base, the material being mounted to, and the lock washers and

# ADJUSTMENTS

## LEVELING THE TABLE EXTENSIONS

See Figure 6.

The infeed and outfeed table extensions are attached to the planer. Shipped in a folded, "upright" position, the table extensions must be in the "down" position before planing can begin. For accurate planing, table extensions must be level with the planer table.

**Note:** For optimum performance, always check to make sure the table extensions are level before beginning planing operations.

### To Level:

- Unplug your planer.

### **⚠ WARNING:**

Failure to unplug your planer could result in accidental starting causing possible serious personal injury.

- Place a straight edge or level across both the planer table and table extensions.
- If adjustment is necessary, lift table extensions and loosen

until

- Pre

ex

- T

p

l

k

t

### BL

See

Rais

the

Note

ck

To

- F

- 

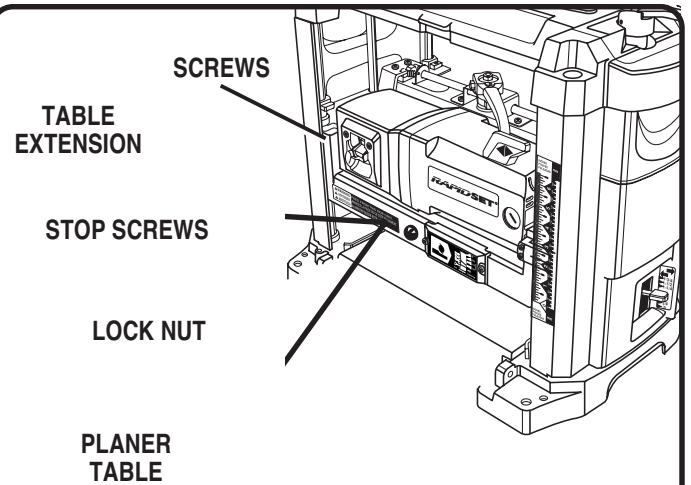


Fig. 6

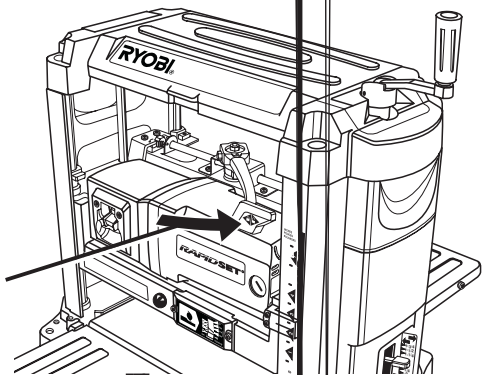
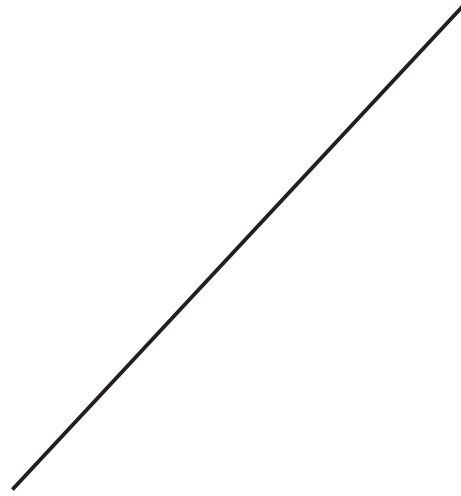
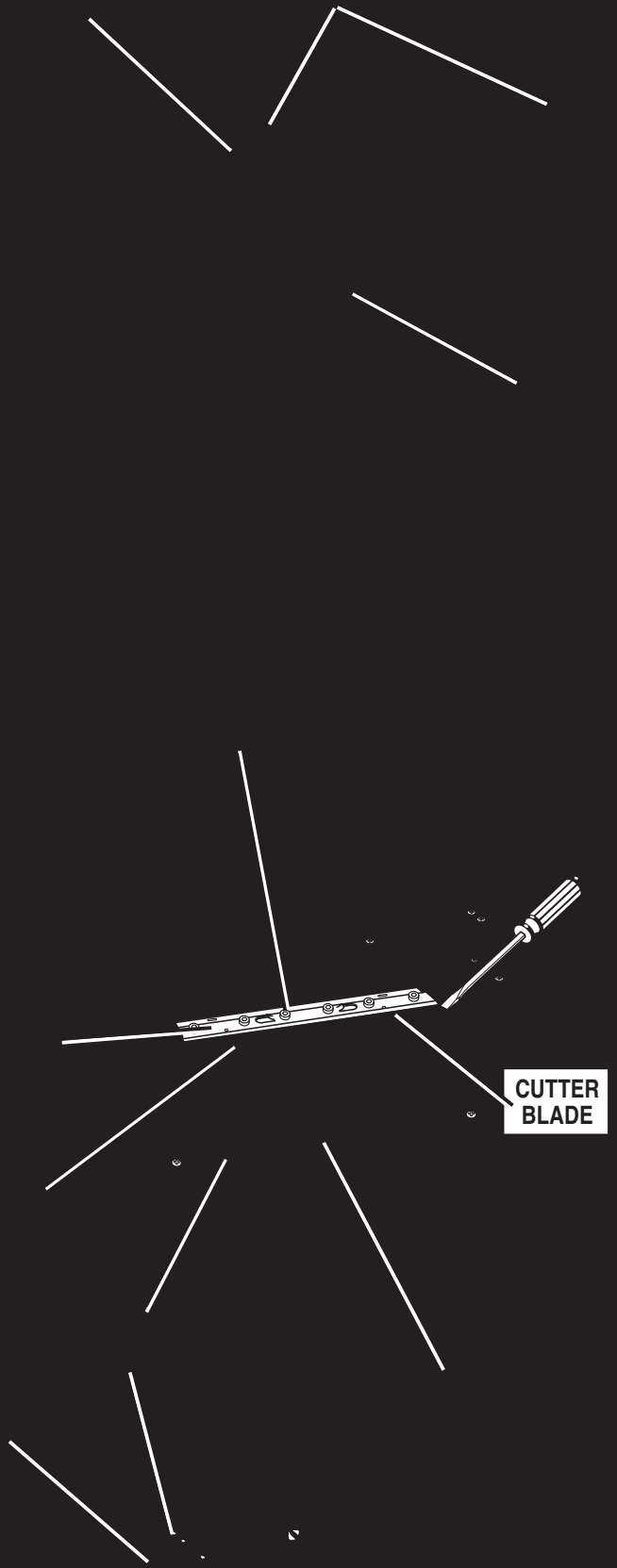
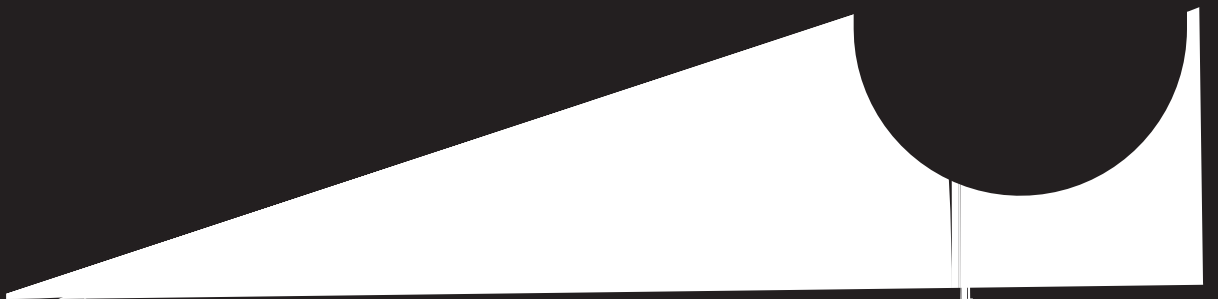
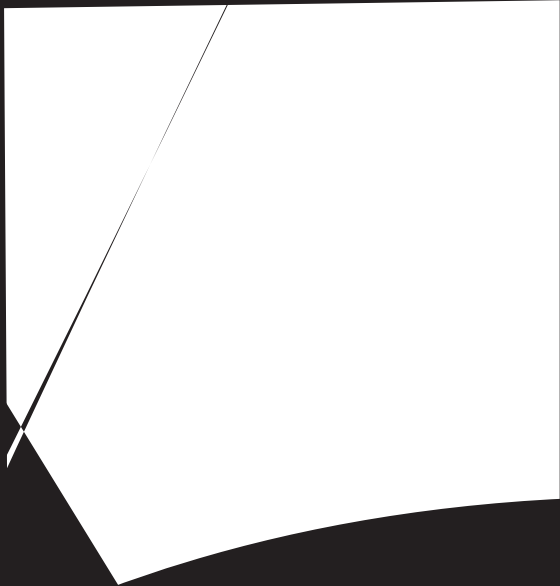


Fig. 7









# MAINTENANCE

## ⚠ WARNING:

When servicing, use only identical Ryobi replacement parts. Use of any other part may create a hazard or cause product damage.

## GENERAL

Avoid using solvents when cleaning plastic parts. Most plastics are susceptible to damage from various types of commercial solvents and may be damaged by their use. Use clean cloths to remove dirt, carbon dust, etc.

## ⚠ WARNING:

Do not at any time let brake fluids, gasoline, petroleum-based products, penetrating oils, etc. come in contact with plastic parts. They contain chemicals that can damage, weaken or destroy plastic.

## CUTTER BLADE REPLACEMENT

See Figure 15.

Your planer is equipped with two double-edged cutter blades attached to a rotating cutter block. Worn cutter blades will affect cutting accuracy and may produce ridges on the workpiece.

### To Replace:

- Unplug your planer.

## ⚠ WARNING:

Failure to turn the planer off, remove the switch key, and unplug the planer before servicing or making adjustments could result in accidental starting causing possible serious personal injury.

- Lower the cutter head assembly.
- From the back of the planer, remove the two socket head screws holding the dust chute in place.
- Remove the dust chute then lift off the safety cover.
- If necessary, rotate the cutter block until it locks in place (every 180° turn the cutter block will lock).

**Note:** Rotating the cutter block is accomplished from beneath the cutter head assembly. Using the planer table as a mirror, touch the threaded spindle where it attaches to the planer table. Carefully move your fingers up until you touch the drive belt. Turn the drive belt with your fingers until the cutter head locks in place (see Figure 11).

## ⚠ WARNING:

To avoid injury, never rotate the cutter block by hand.

- Carefully remove the socket head bolts.
- Place your thumb and index finger on the finger tabs and carefully lift the blade binder and cutter blade off the cutter block.
- Lightly oil new cutter blade. Align the cutter blade on the underside of the blade binder placing the cutter blade (sloped edge against the blade binder) in the small oval tabs.
- Place blade binder with cutter blades on the cutter block in the large oval tabs and aligning with the six socket head bolt holes.

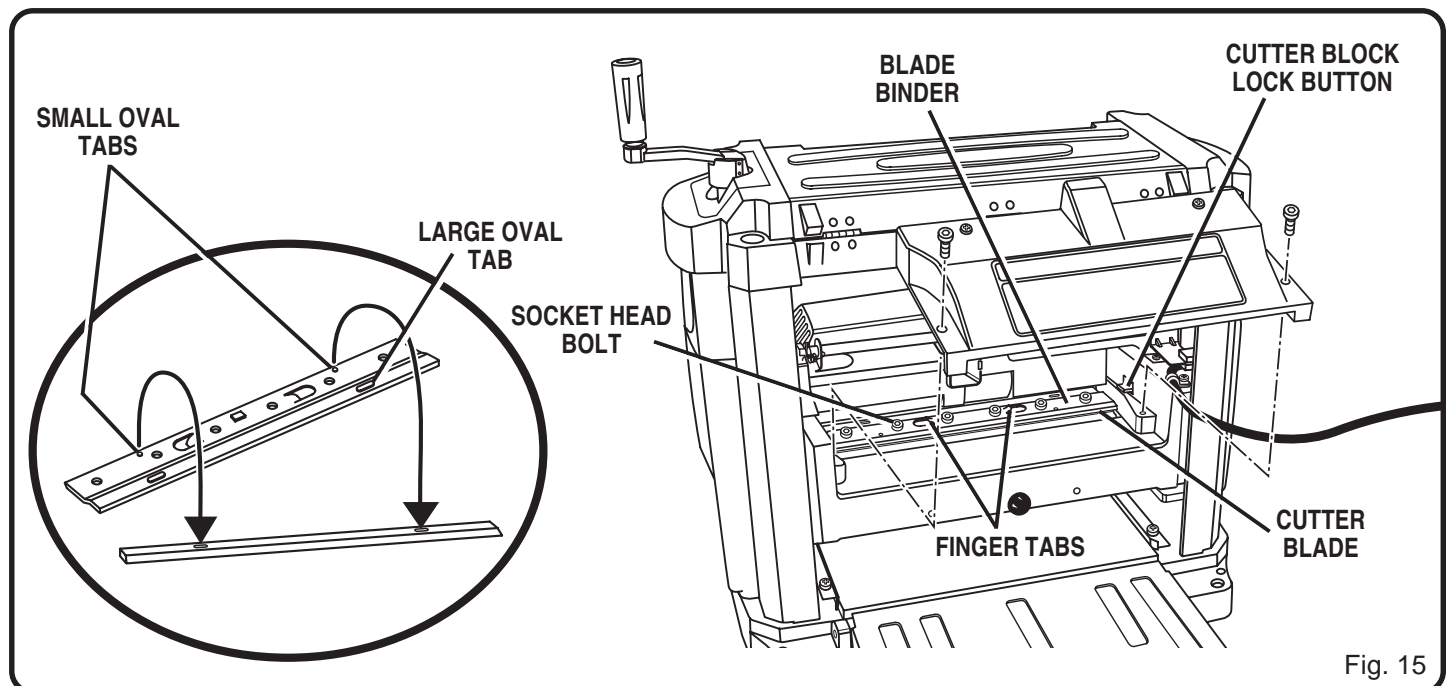


Fig. 15





# TROUBLESHOOTING

Problem	Cause	Solution
Snipe (depressions at ends of workpiece)	<ol style="list-style-type: none"> <li>1. Dull cutter blades</li> <li>2. Incorrect butted stock</li> <li>3. Unit not securely mounted</li> </ol>	<ol style="list-style-type: none"> <li>1. Replace, turn or sharpen cutter blades</li> <li>2. Butt pieces end-to-end as they are fed into planer</li> <li>3. Tighten lag bolts</li> </ol>
Torn grain	<ol style="list-style-type: none"> <li>1. Too deep a blade setting</li> <li>2. Workpiece being fed against grain</li> <li>3. Dull cutter blades</li> </ol>	<ol style="list-style-type: none"> <li>1. Reduce depth of cut</li> <li>2. Feed other end of board first</li> <li>3. Replace, turn or sharpen cutter blades</li> </ol>
Fuzzy/Rough grain	<ol style="list-style-type: none"> <li>1. High wood moisture content</li> <li>2. Dull cutter blades</li> <li>3. Too deep a blade setting</li> <li>4. Incorrect feeding speed</li> </ol>	<ol style="list-style-type: none"> <li>1. Dry wood before planing</li> <li>2. Replace, turn or sharpen cutter blades</li> <li>3. Reduce depth of cut</li> <li>4. Check for adequate power supply, check cord and plug for damage, check condition of motor brushes</li> </ol>
Uneven depth of cut	<ol style="list-style-type: none"> <li>1. Cutter head assembly not level with planer surface</li> <li>2. Unstable roller spring pressure</li> <li>3. Feed roller worn unevenly</li> </ol>	<ol style="list-style-type: none"> <li>1. Adjust elevation screws</li> <li>2. Have service performed by Ryobi Authorized Service Center</li> <li>3. Have service performed by Ryobi Authorized Service Center</li> </ol>
Board thickness does not match depth scale indicator	<ol style="list-style-type: none"> <li>1. Depth scale incorrectly set</li> <li>2. Dirty planing table</li> </ol>	<ol style="list-style-type: none"> <li>1. Adjust depth scale</li> <li>2. Clean and wax planing table</li> </ol>
Cutter head height difficult to adjust	<ol style="list-style-type: none"> <li>1. Dirty spindle</li> <li>2. Worn chain</li> </ol>	<ol style="list-style-type: none"> <li>1. Clean and lubricate</li> <li>2. Have service performed by Ryobi Authorized Service Center</li> </ol>
Will not start	<ol style="list-style-type: none"> <li>1. Not plugged in</li> <li>2. Blown circuit</li> <li>3. Motor failure</li> <li>4. Loose wire</li> <li>5. ON/OFF Switch malfunction</li> </ol>	<ol style="list-style-type: none"> <li>1. Check power source</li> <li>2. Replace fuse, reset breaker or call Electrician</li> <li>3. Have service performed by Ryobi Authorized Service Center</li> <li>4. Have service performed by Ryobi Authorized Service Center</li> <li>5. Have service performed by Ryobi Authorized Service Center</li> </ol>
Interrupted operation	<ol style="list-style-type: none"> <li>1. Unit overloaded</li> <li>2. Circuit overloaded</li> </ol>	<ol style="list-style-type: none"> <li>1. Reduce load</li> <li>2. Operate on circuit separate from other appliances or motors or connect to circuit with adequate amp rating</li> </ol>

# RYOBI<sup>®</sup> OPERATOR'S MANUAL

## 13 in. (330 mm) Portable Planer

### Model AP1300

#### EXTENSION CORD CAUTION

When using a power tool at a considerable distance from a power source, be sure to use an extension cord that has the capacity to handle the current the tool will draw. An undersized cord will cause a drop in line voltage, resulting in overheating and loss of power. Use the chart to determine the minimum wire size required in an extension cord. Only round jacketed cords should be used.

When working with a tool outdoors, use an extension cord that is designed for outside use. This is indicated by the letters "WA" on the cord's jacket.

Before using any extension cord, inspect it for loose or exposed wires and cut or worn insulation.

\*\*Ampere rating

(on tool data plate) 0-2.0   2.1-3.4   3.5-5.0   5.1-7.0   7.1-12.0   12.1-16.0

Cord Length	Wire Size (A.W.G.)					
25'	16	16	16	16	14	14
50'	16	16	16	14	14	12



**CAUTION:** Keep the extension cord clear of the working area. Position the cord so that it will not get caught on workpiece, tools, or other obstructions while you are working with a power tool.

*\*\*Used on 12 gauge - 20 amp circuit.*

#### • SERVICE

Now that you have purchased your tool, should a need ever exist for repair parts or service, simply contact your nearest Ryobi Authorized Service Center. Be sure to provide all pertinent facts when you call or visit. Please call 1-800-525-2579 for your nearest Ryobi Authorized Service Center. You can also check our web site at [www.ryobitools.com](http://www.ryobitools.com) for a complete list of Authorized Service Centers.

#### • MODEL NO.

The model and serial numbers of your tool will be found on a plate attached to the motor housing. Please record the serial number in the space provided below.

- MODEL NUMBER AP1300
- SERIAL NUMBER \_\_\_\_\_

#### RYOBI TECHNOLOGIES, INC.

1428 Pearman Dairy Road Anderson SC 29625  
 Post Office Box 1207 Anderson SC 29622-1207  
 Phone 1-800-525-2579  
[www.ryobitools.com](http://www.ryobitools.com)